

Easidew Online

Dew-Point Hygrometer



A panel- or bench-mounting hygrometer with digital display, analog and digital outputs and dual alarm feature, offering excellent reliability and repeatability.

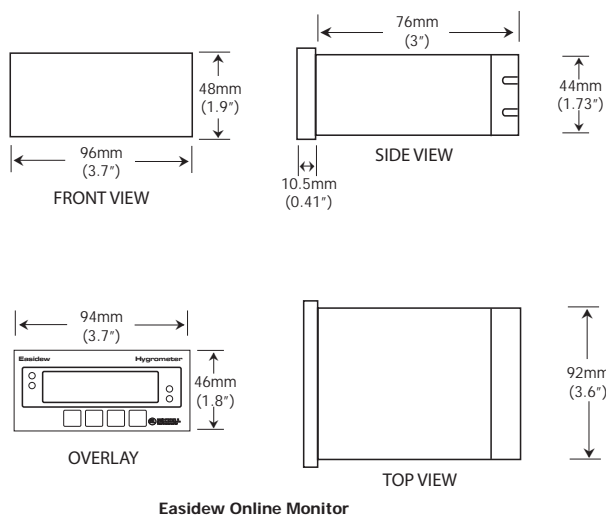
Highlights

- Dew point or ppm moisture content
- Analog and digital outputs
- IP66 (NEMA 4) Sensor and IP65 (NEMA 12) Monitor (front panel only)
- Excellent sensor protection
- -100 to +20°C total dew-point range
- Dual alarms
- Clear and easy to read display

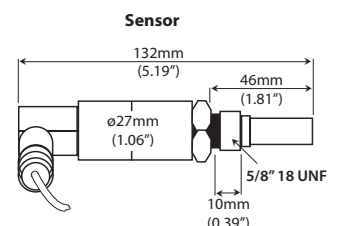
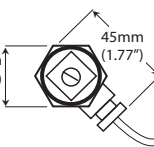
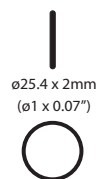
Technical Specifications

Performance	
Measurement range	-100 to +20°C dew point 0–3000 ppm _v ppm _v output or non-standard dew-point range must be specified at time of order
Accuracy (dp)	±2°C dew point
Response time	5 mins to T95 (dry to wet)
Repeatability	0.5°C dew point
Electrical output/input	
Output signal	4–20 or 0–20 mA, maximum load resistance 500 Ω RS232
Supply voltage	85 to 264 V AC, 50/60 Hz
Load resistance	Max 250 Ω @ 12 V / 500 Ω @ 24 V
Current consumption	60 mA max
Operating conditions	
Operating humidity	0–100% RH
Operating temperature	Sensor -40 to +60°C Monitor 0 to 50°C
Mechanical specification	
Ingress protection	Monitor IP65 (NEMA 12) front panel only Sensor IP66 (NEMA 4)
Dimensions	Monitor 1/8 DIN case, 96 x 48 x 85mm incl. clearance (w x h x d) Sensor 132 x 27 A/F mm (length x diameter across hex flats)
Filter	HDPE
Weight	150g
Electrical connections	Sensor cell supplied
Alarm	Front panel configuration of alarm points
Sensor cable	0.8m supplied as standard max 800m
Mains cable	2m cable supplied

Dimensions



5/8" Bonded Seal



Easidew Sensor (included)

Electrical Connections

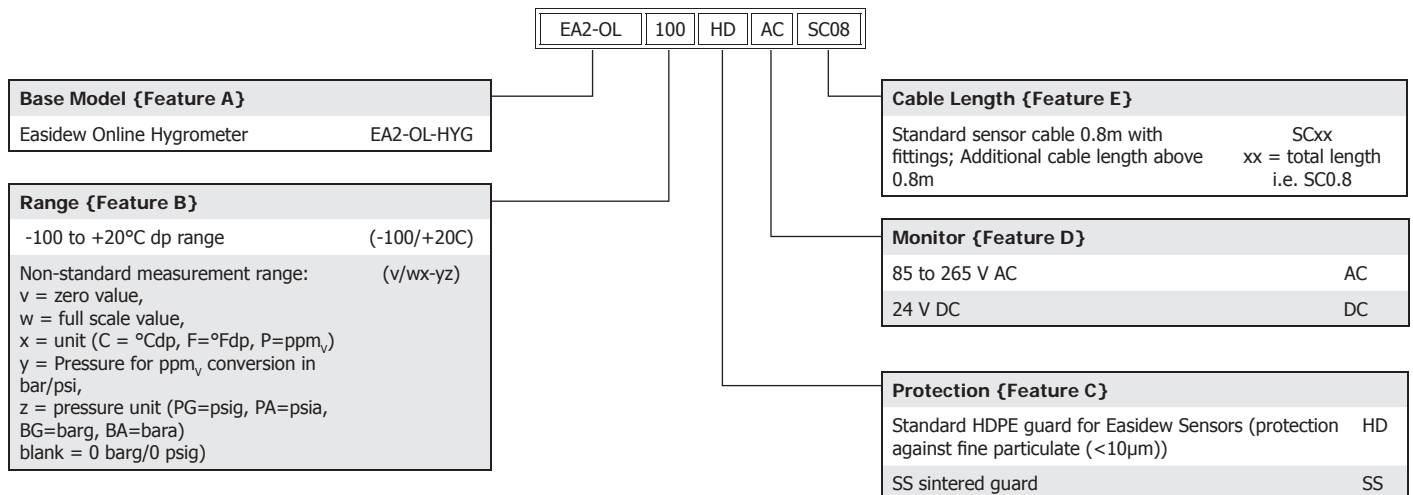
Pin	Monitor	Sensor cable	Connector terminals	Pin	Monitor
1	Ground	Blue wire -screen (GROUND)	Pin 1	13	Output mA -
3	Current source	Green wire- 4-20 mA (SOURCE)	Pin 4	14	Output mA +
4	Supply voltage (24V DC)	Red wire +POWER	Pin 3	16	Alarm relay contact
7	Alarm relay contact 2 - N/O			17	Alarm relay contact
8	Alarm relay contact 2 - N/C			23	Power supply N
9	Alarm relay contact 2 - com			24	Power supply L

Ordering Codes

To construct the order code, select the relevant feature from the tables below, starting with the base model, which is {Feature A} and then add on options to create a string: {Feature A} + {Feature B} + {Feature C} + {Feature D} + {Feature E}

Order example: EA2-OL-HYG+(-100/+20C)+HD+AC+SC0.8

Easidew Online, -100 to +20°Cdp range, HDPE guard, 85 to 265 V AC power supply & 0.8m cable with fittings



Accessories and Spare Parts

Pack of 10 replacement HDPE guards (for protection against fine particulate <10µm)	EA2-HDPE
SS sintered guard replacement (for protection against fine particulate <80µm)	SSG
Pack of 10 particulate filter cartridges (for protection against fine particulate <25µm (for Sampler Kits))	SSF-PF-10PK
3/4" UNF to 5/8" UNF adapter	APT-PAN
G 1/2" BSP to 5/8" UNF adapter	APT-GEI
1/2" NPT to 5/8" UNF adapter	APT-TSO
5/8" SS sample block (with 1/8" NPT inlet & outlet ports)	CSB
5/8" Sampler Kit (for atmospheric or pressure dp measurements -145 psig/10 barg max)	EA2-SAM
5/8" HP (High Pressure) Sampler Kit - (for atmospheric or pressure dp measurements - 2900 psig/200 barg max)	EA2-SAM-HP
PTFE sample tube 6mm O/D thick-walled (for Sampler Kit)(xx = length of tube in meters)	PTFE-xx
Cable, 0.8m length with mini-DIN mating socket Additional cable length above 0.8m	EA2-CAB-xx xx = total length - i.e. CAB-0.8
KFD0-CS-EX1.50P galvanic isolator (for Easidew I.S. - Pepperl & Fuchs)	GI-PF-01
Additional/replacement transmitter labels (2 labels)	GEN-LABEL
5/8" Bonded Seal for process connection (pack of 5)	BS-58-PK5
Sensor connector	EA2-SC
Communications kit for Easidew Transmitter (enables connection to Easidew Transmitter and re-ranging & reconfiguration of output via configuration software)	EA2-CK